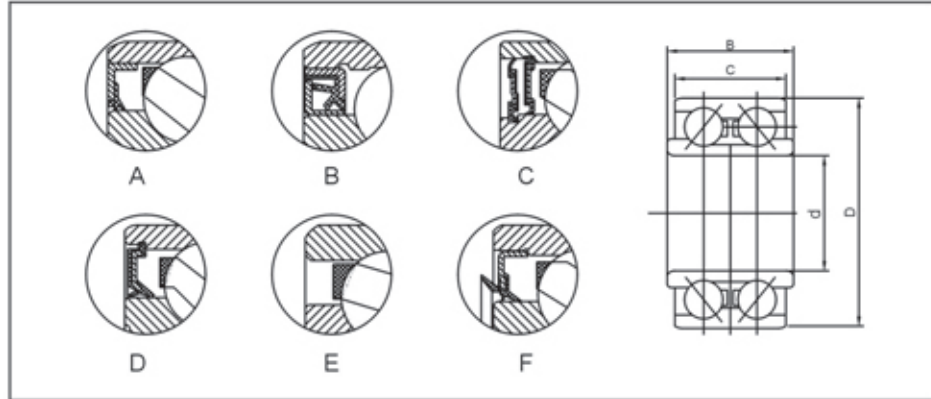
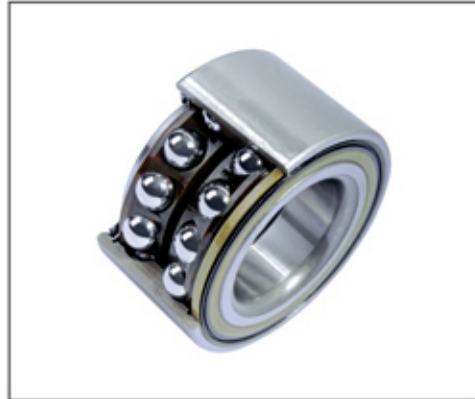


1st Generation Wheel Bearings



RADICAL	d (MM)	D (MM)	B (MM)	C (MM)	N.W.(kg)	SEAL	REMARK	MANUFACTURER
DAC20420030/29	20	42	30	29	0.19	D		Mercedes-Benz
DAC25520037	25	52	37	37	0.37	D		Renault,Peugeot,Citroen
DAC25520043	25	52	43	43	0.40	D		Renault,Peugeot,Citroen
DAC25550043	25	55	43	43	0.45	D		Renault
DAC25520042	25	52	42	42	0.36	D		Suzuki
DAC25680043	25	68	43	43		A		
DAC28520031	28	52	31	31		D		
DAC28520031/29	28	52	31	29		D		
DAC25560032	25	56	32	32		A		Citroen
DAC27600050	27	60	50	50		B		Nissan
DAC28560039/29	28	56	39	29	0.32	E		
DAC28580042	28	58	42	42	0.44	A/D		"昌河" SK410
DAC28580044	28	58	44	44	0.46	A		Suzuki
DAC28610042	28	61	42	42	0.50	E		Toyota
DAC28620047/35	28	62	47	35		A		
DAC29530237	29	53.02	37	37	0.35	D		Ford
DAC30500020	30	50	20	20	0.08	D		
DAC30540024	30	54	24	24	0.10	D		
DAC30550030/25	30	55	30	25	0.20	E		
DAC30550032	30	55	32	32	0.28	A	▲X2	
DAC30580042	30	58	42	42	0.42	A		Mazda
DAC30600037	30	60	37	37	0.42	C/D	▲	Fiat,Lada,Lancia,Seat,Volvo
DAC30600037/34	30	60	37	34	0.38	E		
DAC30620032	30	62	32	32	0.40	D		
DAC30630042	30	63	42	42	0.49	D		Nissan sunny B13,Toyota
DAC30640042	30	64	42	42	0.49	D		Suzuki
DAC30650044/35	30	65	44	35		E		
DAC30620030	30	62	30	30		D		
DAC30620038	30	62	38	38	0.481			TOYOTA
DAC32720045	32	72	45	45	0.60	E		Toyota
DAC34610027	34	61	27	27	0.3	B		HONDA
DAC34620037	34	62	37	37	0.41	D	▲	Audi,Volkswagen,Chrysler
DAC34640037	34	64	37	37	0.43	A/C/D	▲	Lada,Opel,Volkswagen,BedFord
DAC34660037	34	66	37	37	0.50	C		Opel,Vauxhall,Accord(Honda)
DAC34670037	34	67	37	37	0.43	C		OPEL
DAC35618040	35	61.8	40	40	0.44	C		昌河北斗星前轮
DAC35640037	35	64	37	37	0.41	C	▲	"夏利" TJ7300,Dailhastu (大发)
DAC35650035	35	65	35	35	0.40	A/B/D/F		Renault
DAC35660032	35	66	32	32	0.41	D		Citroen
DAC35660033	35	66	33	33	0.43	D		Fiat
DAC35660037	35	66	37	37	0.48	A/C		Volkswagen
DAC35680037	35	68	37	37	0.52	A/B/C		Fiat,Lancia,Seat,Volvo,Zastava
DAC35680040	35	68	40	40		B		长安CX20
DAC35680233/30	35	68.02	33	30	0.47	E		Nissan
DAC35720027	35	72	27	27	0.46	E		Citroen, Eugest, Renault, Simca
DAC35720028	35	72	28	28	0.48	E		Citroen, Eugest, Renault, Simca
DAC35720033	35	72	33	33	0.58	A/B		Citroen,Peugeot

▲表示该产品外圈一端带导向槽 (Guide groove feature)

1st Generation Wheel Bearings

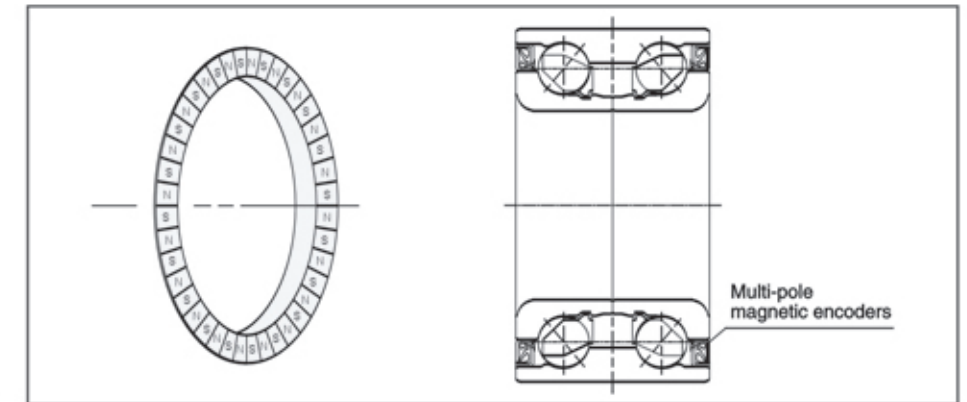
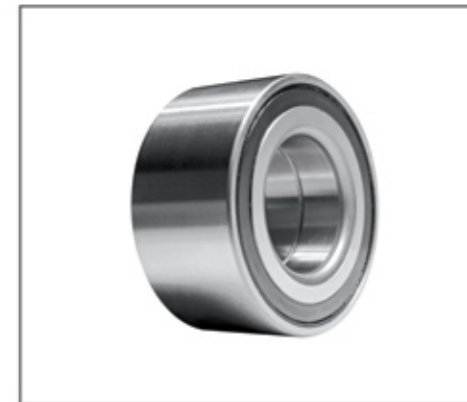
RADICAL	d (MM)	D (MM)	B (MM)	C (MM)	N.W.(kg)	SEAL	REMARK	MANUFACTURER
DAC35720034	35	72	34	34	0.58	A/B		"五菱" LZW7100
DAC35720233/31	35	72.02	33	31	0.55	E		Toyota
DAC35770442	35	77.04	42	42		E		Toyota
DAC35670042	35	67	42	42		A		RENAULT,PEUGEOT
DAC36640037	36	64	37	37		A	▲X2	
DAC36640042	36	64	42	42	0.55	A		MAZDA 626
DAC36660035	36	66	35	35	0.55	B		KIA, HYUNDAI
DAC36680033	36	68	33	33	0.47	D/E		Suzuki
DAC36720434	36	72.04	34	34	0.57	E		Chrysler
DAC37680034	37	68	34	34	0.49	A&B		Mitsubishi
DAC37720033	37	72	33	33	0.54	B		Peugeot 206
DAC37720037	37	72	37	37	0.59	A/B/C		Fiat,Ford,Lancia, Renault, Chrysler
DAC37720047	37	72	47	47		D		
DAC37740045	37	74	45	45	0.79	D		BMW, Opel, Ford
DAC38640336/33	38	64.03	36	33	0.47	E		Toyota
DAC38650352/48	38	65.03	52	48		E		SAAB, SUBARU
DAC38700037	38.10	70	37	37	0.54	A/B		KIA
DAC38700038	38	70	38	38	0.55	A/B		"夏利" 7100, Charde
DAC38710033/30	38	71	33	30	0.52	E		Toyota
DAC38710039	38	71	39	39	0.56	D		Toyota
DAC38720040	38	72	40	40	0.57	D		Honda
DAC38720236/33	37.99	72.02	36	33	0.54	D/E		Honda, Rover
DAC38720434	38	72.04	34	34	0.55	E		Honda
DAC38730040	38	73	40	40	0.62	D		Honda
DAC38740036	38	74	36	36	0.64	B		Nissan
DAC38740036/33	38	74	36	33	0.58	D/E	▲	Toyota, Nissan
DAC38740050	38	74	50	50	0.78	D		Nissan
DAC38760043	38	76	43	43	0.72	B		NISSAN
DAC38790045	38	79	45	45		A		NISSAN
DAC38740236/33	37.99	74.02	36	33	0.58	E		Toyota
DAC39/41750037	39/41	75	37	37	0.62	B/D		Audi, Passat B5
DAC39680037	39	68	37	37	0.48	A/C/D	▲	Volkswagen, Ford, Audi, Santana
DAC39680637	39	68.06	37	37	0.48	A/C/D	▲	Volkswagen, Ford, Audi
DAC39680737	39	68.07	37	37	0.48	A/C/D	▲	Volkswagen, Ford, Audi, Chrysler
DAC39720037	39	72	37	37	0.56	A/B/C		BMW, Opel, Ford, BedFord, Vauxhall
DAC39720637	39	72.06	37	37	0.56	A/B/C		BMW, Opel, Ford, BedFord, Vauxhall
DAC39740034	39	74	34	34	0.57	A		Honda
DAC39740036/34	39.09	74	36	34	0.52	A		Hyundai
DAC39740039	39	74	39	39	0.66	D		Opel, Vauxhall
DAC40680042	40	68	42	42	0.48	C	▲	
DAC40700043	40	70	43	43	0.66	B		Mitsubishi
DAC40720036	40	72	36	36	0.54	A&B		
DAC40720036/33	40	72	36	33	0.52	E		SUZUKI
DAC40720037	40	72	37	37	0.55	A/B/C	▲	Volkswagen, Seat
DAC40720041.5/37	40	72	41.5	37	0.58	C	▲	
DAC40720833.1	40	72.08	33.1	33.1	0.52	A	▲X2	
DAC40740036	40	74	36	36	0.60	A/B		Nissan
DAC40740036/34	40	74	36	34	0.58	E		Malaysia
DAC40740040	40	74	40	40	0.66	A/D	▲	Mazda
DAC40740042	40	74	42	42	0.66	A		Toyota
DAC40750037	40	75	37	37	0.62	D		Ford
DAC40750039	40	75	39	39	0.64	B	with ABS	Toyota
DAC40760033	40	76	33	33	0.57	D		Chrysler
DAC40760033/28	40	76	33	28	0.54	D		Chrysler, Volkswagen, Rover
DAC40760040/38	40	76	40	38	0.68	D		
DAC40760041/38	40	76	41	38	0.70	D		Honda, Rover
DAC408000302	40	80	30.2	30.2	0.63	E		Peugeot, Simca, Talbot
DAC40800031	40	80	31	31	0.65	D		Peugeot
DAC40800034	40	80	34	34	0.72	D		
DAC40800036/34	40	80	36	34	0.74	D		GM, Mitsubishi, Hyundai
DAC40800040	40	80	40	40	0.86	B		Mitsubishi
DAC40840338	40	84.03	38	38	0.92	A	▲	Renault
DAC401080017/32	40	108	32	17	1.06	F		Renault
DAC401100017/38	40	110	38	17	1.02	D		Psa
DAC41680040/35	41	68	40	35	0.50	E		SUZUKI
DAC42720038	42	72	38	38	0.56	A/D		Mazda, Ford
DAC42720038/35	42	72	38	35	0.55	E		Nissan
DAC42750037	42	75	37	37	0.59	B/D		Alfa-Romeo, Audi, Porsche, Saab, BMW
DAC42760033	42	76	33	33	0.56	D		Chrysler
DAC42760038	42	76	38	38	0.63	D		

▲表示该产品外圈一端带导向槽 (Guide groove feature)

1st Generation Wheel Bearings

RADICAL	d (MM)	D (MM)	B (MM)	C (MM)	N.W.(kg)	SEAL	REMARK	MANUFACTURER
DAC42760038/35	42	76	38	35	0.62	D/E		Nissan
DAC42760039	42	76	39	39	0.62	D		Chrysler
DAC42760040/37	42	76	40	37	0.64	D		Chrysler
DAC42770039	42	77	39	36	0.70	B		
DAC42780040	42	78	40	40	0.74	B		
DAC42780541/38	42	78.05	41	38	0.74	D		Honda
DAC42800036/34	42	80	36	34	0.70	D		Hyundai
DAC42800037	42	80	37	37	0.72	D		Alfa-Romeo
DAC42800039	42	80	39	39	0.75	B		Renault
DAC42800042	42	80	42	42	0.81	D		BMW,Chrysler
DAC42800045	42	80	45	45	0.86	D		Mazda
DAC42820036	42	82	36	36	0.77	A/B/D		Citroen,Peugeot,GM,高康
DAC42820037	42	82	37	37	0.79	B/C/D		Audi
DAC42820040	42	82	40	40	0.82	B		
DAC42840034	42	84	34	34	0.68	E		
DAC42840036	42	84	36	36	0.85	E		Peugeot 505,Simca,Talbot
DAC42840039	42	84	39	39	0.93	A/D		Renault,Peugeot
DAC42780045	42	78	45	45		B		FORD
DAC43/45820037	43/45	82	37	37	0.76	A/B/C/D		Audi
DAC43/45850037	43/45	85	37	37	0.90	C		Audi
DAC43760043	43	76	43	43	0.71	A		Nissan
DAC43770042/38	43	77	42	38	0.66	E		Toyota
DAC43790041/38	43	79	41	38	0.90	D		Honda
DAC43790045	43	79	45	45	0.87	B		Nissan
DAC43800038	43	80	38	38	0.73	D		Ford, Seat, Volkswagen
DAC43800050/45	43	80	50	45	0.88	E		Toyota
DAC43820045	43	82	45	45	0.85	A		Toyota
DAC44825037	44	82.5	37	37	0.77	B		Citroen,Peugeot,Fiat
DAC44840042/40	44	84	42	40	0.80	D		Honda
DAC45800045	45	80	45	45	0.79	C/D	▲	VW
DAC45840039	45	84	39	39	0.85	A/D		Citroen,Peugeot,Volvo,Mercedes-Benz
DAC45840041/39	45	84	41	39	0.88	A		Huandiyi
DAC45840042/40	45	84	42	40	0.90	A		Honda Accord
DAC45840045	45	84	45	45	0.96	B		Toyota
DAC45850023	45	85	23	23	0.56	E		
DAC458500302	45	85	30.2	30.2	0.67	D		Ford
DAC45850041	45	85	41	41		A		BMW
DAC45860045	45	86	45	45	0.99	B		TOYOTA
DAC45880045	45	88	45	45	1.1	B		BYD
DAC45880239	45	88.02	39	39	1.00	B		
DAC45870041/39	45	87	41	39		B		HYUNDAI,KIA
DAC47850045	47	85	45	45	1.02	A		Ford EXPLORER
DAC48860042/40	48	86	42	40	0.90	D		Honda
DAC48890044/42	48	89	44	42	0.886	B		HONDA
DAC49840043	49	84	43	43	0.97	D		Mercedes-Benz
DAC49840048	49	84	48	48	1.00	D		Ford
DAC49880046	49	88	46	46	1.05	A		Mercedes-Benz
DAC49900545	49	90.05	45	45	1.1	B		BMW
DAC50.4820034/30	50.4	82	34	30	0.58	A		
DAC50900040	50	90	40	40	0.95	D		
760204DBB	20	47	28	28	0.228			For Machine Tools
760205DBB	25	52	30	30	0.282			For Machine Tools
F760204DBB	20	47	38	36	0.46			For Machine Tools
F760205DBB	25	52	38	36	0.56			For Machine Tools

Wheel bearings With Magnetic Encoder For ABS



RADICAL	d (MM)	D (MM)	B (MM)	C (MM)	N.W.(kg)	REMARK	MANUFACTURER
DAC35680037-2RZ(ABS)	35	68	37	37		XGB 12132S 02	FIAT Albea/Palio
DAC35720433-RZ/Z(ABS)	35	72.04	33	33		BAH-0072 AB	PEUGEOT 207
DAC35640037-2RZ(ABS)	35	64	37	37		AU0728-1LL/L588	DAIHATSU
DAC35660037-2RZ(ABS)	35	66	37	37		1S0407625	VW
DAC37720437-2RZ(ABS)	37	72.04	37	37		XGB41371	DACIA/RENAULT/Nissan
DAC37720437-2RZ(ABS)	37	72.04	37	37		XGB41140	Renault CLIO/MEGANE/MODUS
DAC37740437-2RZ(ABS)	37	74.04	37	37		XGB40721	Fiat Bravo II
DAC37720033-2RZ(ABS)	37	72	33	33		BAH0072	Citroen C3 / Citroen C2
DAC38730040-RZ/Z(ABS)	38	73	40	40		XGB41135	HONDA FIT
DAC38690039/34-2RZ(ABS)	38	69	39	34		DAC3869-W3	TOYOTA/AGYO
DAC38700638-2RZ(ABS)	38	70.06	38	38		DAC3870W-4	DAIHATSU
DAC38740040-RZ/Z(ABS)	38	74	40	40		38BWD27A	MAZDA 929
DAC38730040-RZ/Z(ABS)	38	73	40	40		XGB41135P	HONDA
DAC39720037-2RZ(ABS)	39	72	37	37		BAH0106B	Ford
DAC39740039-2RZ(ABS)	39	74	39	39		39BDW08A	FORD 奇瑞A3
DAC40780040-2RZ(ABS)	40	78	40	40		1603022	CHEVROLET
DAC40750039-2RZ(ABS)	40	75	39	39		40BWD17D	TOYOTA YARIS(雅力士)
DAC40750037-2RZ(ABS)	40	75	37	37		BAH-0068D	FORD/MONDEO
DAC40840539/40-2RZ(ABS)	40	84.05	39	40		XGB40492S01P	Renault/Luguna
DAC40760038-2RZ(ABS)	40	76	38	38		AU0831-2LX3	MITSUBISHI
DAC42750537-2RZ(ABS)	42	75.05	37	37		VKBA3682	BMW
DAC42770039-2RZ(ABS)	42	77	39	39		XGB40880S01P	Renault/clio/Megane
DAC42820036-2RZ(ABS)	42	82	36	36		XGB 40574.P	PEUGEOT 307
DAC42825037-2RZ(ABS)	42	82.5	37	37		AU0859-2	FIAT
DAC42800039-2RZ(ABS)	42	80	39	39		XGB41793R01	RENAULT
DAC43790041/38-RZ/Z(ABS)	43	79	41	38		XGB41999	HONDA
DAC43780044-RZ/Z(ABS)	43	78	44	44		AU0933-4LXL	HONDA/CIVIC2006
DAC43800040-2RZ(ABS)	43	80	40	40		AU0930-4	Mitsubishi Lancer X
DAC43790041/38-RZ/Z(ABS)	43	79	41	38		43BWD14A1	HONDA Civic 95-/HR-V/CR-V
DAC44825037-2RZ(ABS)	44	82.5	37	37		XGB40246 S07	Citroen C8, Fiat Ulysse, Peugeot
DAC45850441-2RZ(ABS)	45	85.04	41	41		45BWD15ACA96	BMW-2005
DAC45840039-RZ/Z(ABS)	45	84	39	39		45BWD16CA103	SUZUKI 天雨
DAC45840039-RZ/Z(ABS)	45	84	39	39		AU0915	MERCEDES BENZ CLASSE A
DAC45830039-2RZ(ABS)	45	83	39	39		XGB40550 S03	RENAULT ESPACE96-02
DAC45840042/40-RZ/Z(ABS)	45	84	42	40		45BWD12	HONDA ACCORD 98~02
DAC42800045-2RZ(ABS)	42	80	45	45		AU0838-5	MAZDA 3
DAC45820042-2RZ(ABS)	45	82	42	42		BV61-1215-APA	FORD FOCUS
DAC45830044-2RZ(ABS)	45	83	44	44		XGB41225 P	CITROEN, PEUGEOT 407 , 607
DAC45860039-RZ/Z(ABS)	45	86	39	39		XGB40575S02P	RENAULT, OPEL, NISSAN
DAC45860044-2RZ(ABS)	45	86	44	44		XGB41595P	PEUGEOT, FIAT
DAC45880039-2RZ(ABS)	45	88	39	39		XGB41166	RENAULT, OPEL, NISSAN
DAC48860042/40-RZ/Z(ABS)	48	86	42	40		AU1006-3	HONDA FR ACCORD 02-
DAC49880048-2RZ(ABS)	49	88	48	48		BAF-0126 A	AMAROK
DAC50920050-2RZ(ABS)	50	92	50	50		805190	Mercedes-Benz
DAC51910044-RZ/Z(ABS)	51	91	44	44		51BWD01B1	HONDA CRV
DAC51960050-2RZ(ABS)	51	96	50	50		XGB40900	VW,AUDI
DAC52910040-RZ/Z(ABS)	52	91	40	40		AU1022-2	HONDA FR ACCORD 08-
DAC54900050-2RZ(ABS)	54	90	50	50		AU1101-8	Mercedes-Benz
DAC54980050-2RZ(ABS)	54	98	50	50			

▲表示该产品外圈一端带导向槽 (Guide groove feature)

▲表示该产品外圈一端带导向槽 (Guide groove feature)

轮毂轴承修理包 Wheel Bearing Kits



FAVORABLE FOUNDATIONS BRING FUTURE SUCCESS
基础创造未来



Wheel Bearing Kits Simplified Application Form

RADICAL	MANUFACTURER	RADICAL	MANUFACTURER	RADICAL	MANUFACTURER
RAK 0022	PEUGEOT	RAK 1326	OPEL	RAK 1973	HYUNDAI
RAK 0506	OPEL	RAK 1327	PSA	RAK 1973	DAEWOO
RAK 0523	FORD	RAK 1333	FORD	RAK 1984	MAZDA
RAK 0528	FORD	RAK 1333A	FORD	RAK 1985	OPEL
RAK 0529	AUDI / VW	RAK 1333B	FORD	RAK 1992	HYUNDAI
RAK 0529	SKODA	RAK 1336A	PSA	RAK 1998	MAZDA
RAK 0534	DAIHATSU	RAK 1341A	TOYOTA	RAK 1999	NISSAN
RAK 0540	PSA	RAK 1342A	TOYOTA	RAK 3201	NISSAN
RAK 0542	AUDI / VW	RAK 1344	TOYOTA	RAK 3205	NISSAN
RAK 0542A	AUDI / VW	RAK 1345	TOYOTA	RAK 3206	NISSAN
RAK 0542B	AUDI / VW	RAK 1345A	TOYOTA	RAK 3215	TOYOTA
RAK 0559A	FIAT	RAK 1347	MERCEDES-BENZ	RAK 3217	TOYOTA
RAK 0559A	SEAT	RAK 1348	MAZDA	RAK 3220	SUZUKI
RAK 0575	AUDI / VW	RAK 1349	MAZDA	RAK 3235	SUBARU
RAK 0577	AUDI / VW	RAK 1351	MAZDA	RAK 3236	SUBARU
RAK 0593	AUDI / VW	RAK 1352	MAZDA	RAK 3237	TOYOTA
RAK 0596	MERCEDES-BENZ	RAK 1355	AUDI / VW	RAK 3240	TOYOTA
RAK 0603	AUDI / VW	RAK 1355A	AUDI / VW	RAK 3256	DAEWOO
RAK 0612A	PSA	RAK 1356	AUDI / VW	RAK 3293	DAEWOO
RAK 0613A	AUDI / VW	RAK 1356A	AUDI / VW	RAK 3317	DAEWOO
RAK 0625	FIAT	RAK 1356D	AUDI / VW	RAK 3321	NISSAN
RAK 0625	SEAT	RAK 1356E	AUDI / VW	RAK 3331	NISSAN
RAK 0636	RENAULT	RAK 1358	AUDI / VW	RAK 3332	NISSAN
RAK 0663	OPEL	RAK 1358	SEAT	RAK 3403	OPEL
RAK 0673A	NISSAN	RAK 1358A	AUDI / VW	RAK 3406	AUDI / VW
RAK 0674	DAIHATSU	RAK 1358A	SEAT	RAK 3408A	RENAULT
RAK 0674	TOYOTA	RAK 1358B	AUDI / VW	RAK 3410	OPEL
RAK 0675	TOYOTA	RAK 1358B	SEAT	RAK 3427	AUDI / VW
RAK 0678	PSA	RAK 1362	NISSAN	RAK 3435	MERCEDES-BENZ
RAK 0687	FORD	RAK 1364	NISSAN	RAK 3435	AUDI / VW
RAK 0687A	FORD	RAK 1366	HYUNDAI	RAK 3449	FORD
RAK 0713	HYUNDAI	RAK 1366	MITSUBISHI	RAK 3449	SEAT
RAK 0714	MITSUBISHI	RAK 1366	HYUNDAI	RAK 3450	FORD
RAK 0730	ROVER	RAK 1366	MITSUBISHI	RAK 3450	SEAT
RAK 0736	OPEL	RAK 1369	HYUNDAI	RAK 3450	AUDI / VW
RAK 0739	MAZDA	RAK 1369	MITSUBISHI	RAK 3455	AUDI / VW
RAK 0743	PSA	RAK 1410	SEAT	RAK 3496	RENAULT
RAK 0749	ROVER	RAK 1417	SUBARU	RAK 3500	OPEL
RAK 0751	NISSAN	RAK 1418	SUBARU	RAK 3500	RENAULT
RAK 0752	ALFA ROMEO	RAK 1420	SUBARU	RAK 3525	NISSAN
RAK 0754	OPEL	RAK 1432	FORD	RAK 3525	RENAULT
RAK 0756	MERCEDES-BENZ	RAK 1432A	FORD	RAK 3532A	FORD
RAK 0757	MERCEDES-BENZ	RAK 1444	PSA	RAK 3554	PSA
RAK 0826	TOYOTA	RAK 1459	BMW	RAK 3566	MERCEDES-BENZ
RAK 0827	TOYOTA	RAK 1459	BMW	RAK 3588	FORD
RAK 0840	NISSAN	RAK 1460	BMW	RAK 3596	RENAULT
RAK 0869	RENAULT	RAK 1460	BMW	RAK 3600	OPEL
RAK 0882	PSA	RAK 1465	FORD	RAK 3710	MITSUBISHI
RAK 0904	MAZDA	RAK 1480	FORD	RAK 3714	SUZUKI
RAK 0906	AUDI / VW	RAK 1491	SEAT	RAK 3717	SUZUKI
RAK 0906	SEAT	RAK 1491	AUDI / VW	RAK 3730	TOYOTA
RAK 0909	RENAULT	RAK 1906	TOYOTA	RAK 3774	MITSUBISHI
RAK 0911	AUDI / VW	RAK 1911	TOYOTA	RAK 3775	MITSUBISHI
RAK 0912	AUDI / VW	RAK 1911A	TOYOTA	RAK 3780	MAZDA
RAK 0915	PSA	RAK 1915	HYUNDAI	RAK 3785	DAEWOO
RAK 0940	FIAT	RAK 1915	HYUNDAI	RAK 3786	DAEWOO
RAK 0941	MERCEDES-BENZ	RAK 1928	KIA	RAK 3796	DAEWOO
RAK 0944	OPEL	RAK 1929	DAIHATSU	RAK 3907	HYUNDAI
RAK 0949	MAZDA	RAK 1933	SUZUKI	RAK 3907	KIA
RAK 0949	KIA	RAK 1948	KIA		
RAK 0961A	PSA	RAK 1948	MAZDA		
RAK 0962	AUDI / VW	RAK 1950	KIA		
RAK 0966	RENAULT	RAK 1950	MAZDA		
RAK 0969	RENAULT	RAK 1950	KIA		
RAK 0975	RENAULT	RAK 1950	MAZDA		
RAK 0976	RENAULT	RAK 1956	MITSUBISHI		
RAK 1306	LADA	RAK 1962	MITSUBISHI		
RAK 1307	LADA	RAK 1970	MITSUBISHI		
RAK 1320	BMW	RAK 1970	MITSUBISHI		
RAK 1321	MAZDA	RAK 1971	SUZUKI		
RAK 1321	KIA	RAK 1972	SUZUKI		
RAK 1322	MAZDA	RAK 1973	HYUNDAI		
RAK 1322	KIA	RAK 1973	MITSUBISHI		